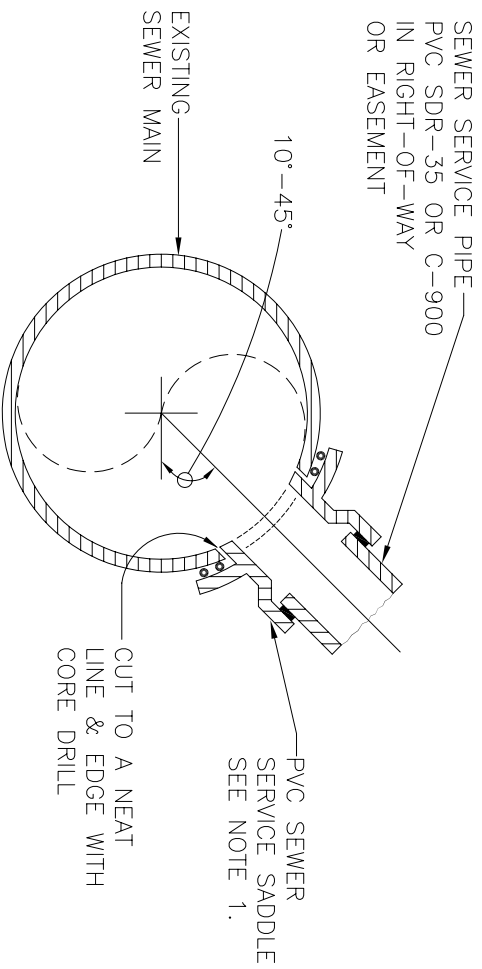
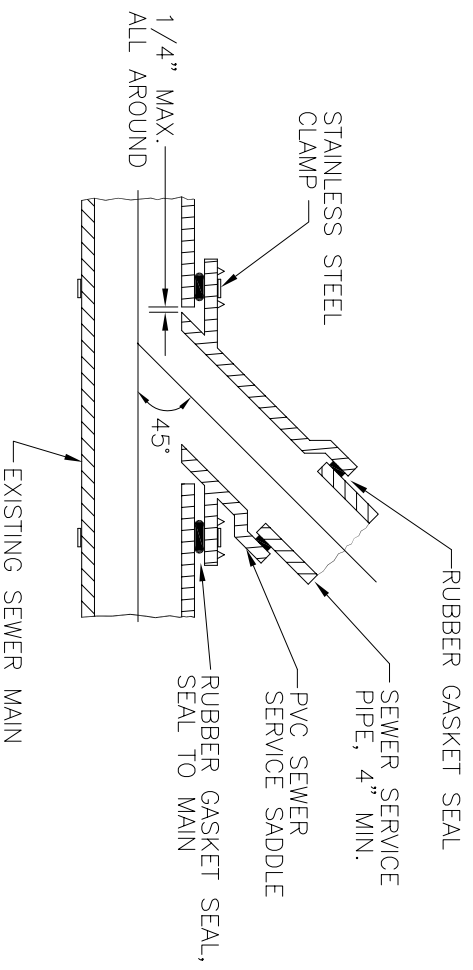


Minden-Gardnerville Sanitation District



- NOTE:
1. ROMAC "CB" SEWER SADDLES OR EQUAL MAY BE USED ON SEWER MAINS OTHER THAN PVC.
 2. SEWER SERVICE SADDLE SHALL BE ENCASED IN CONCRETE.

FRONT VIEW



SIDE VIEW

SEWER SERVICE SADDLE DETAIL H