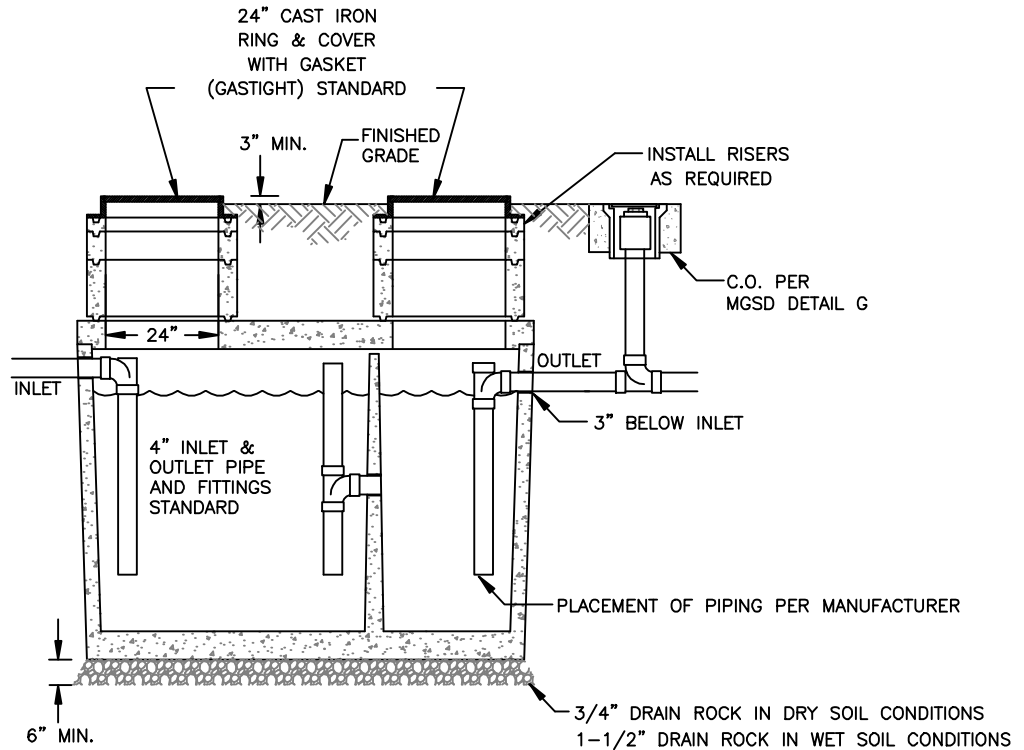


PLAN VIEW

(COVERS & RISERS REMOVED)



SECTION A-A

NOTES:

1. INSTALL JENSEN PRECAST GREASE INTERCEPTORS (MODELS JP320EE-G THROUGH JP2000EE-G AND JZ2500EE-G THROUGH JZ5000EE-G) WITH H-20 TRAFFIC FROM 1' TO 6' SOIL COVER, OR APPROVED EQUAL
2. REFER TO MGSD REQUIREMENTS FOR MINIMUM SIZING.
3. ALL CONSTRUCTION PER MGSD STANDARDS.
4. AVOID PLACING IN PARKING/AC AREAS. IF NECESSARY - PROVIDE DESIGN BY ENGINEER. MOUND IN PARKING/SW AREAS TO CHANNEL DRAINAGE AWAY FROM INTERCEPTOR. LIDS SHALL BE 1" ABOVE FG IN AC/CONCRETE AREAS AND 3" ABOVE FG IN LANDSCAPE AREAS.
5. DUMPSTER DRAINS SHALL BE ROUTED THROUGH GREASE INTERCEPTORS.

**GREASE INTERCEPTOR
DETAIL K(a)**

Minden-Gardnerville Sanitation District